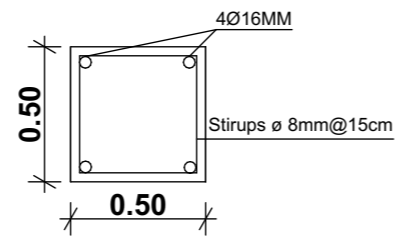
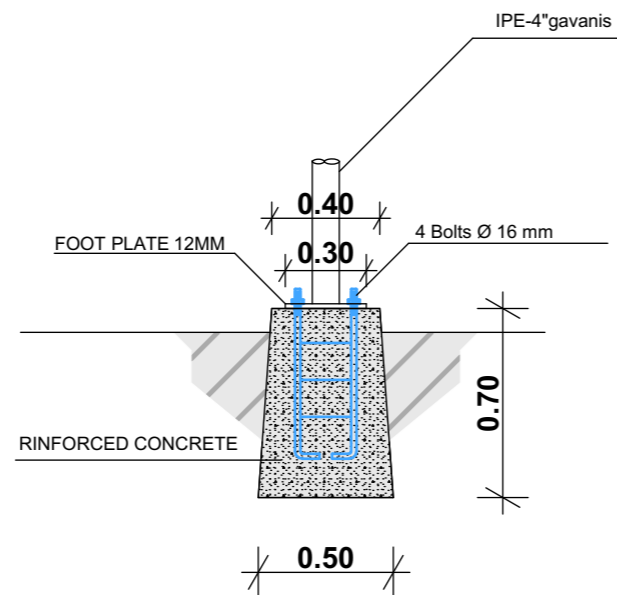


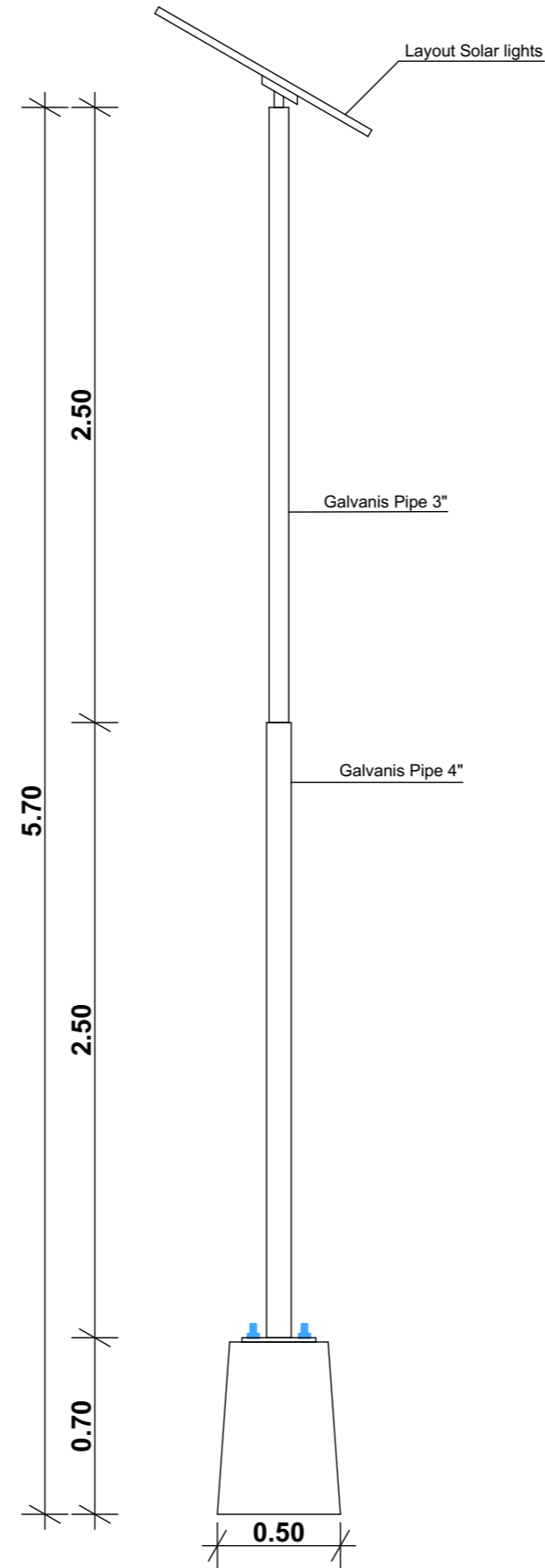
**Top Section**



**Bottom Section**



**Footing Details**



**Project Name:** Proposed Site for Layout Solar lights Footings

**Location:**  
White Nile State - Refugee Camps & Host Community

**Drawn By:**  
WASH & Infrastructure Team -DRC Sudan

**Checked & Approved by:**  
WASH & Infrastructure Coordinator

**Date:**  
february/2026